

xTOOL Concealed thermostat without volume control 3/4" - Chrome

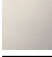
IMO

36 503 985



- cover plate 120 x 120 mm
- temperature control handle with safety limit stop at 38°C
- thermostat cartridge

Fits: IMO, MEM, CL.1, CYO

| | | |
|--|-------------------------------|---------------|
|  | Chrome | 36 503 985-00 |
|  | Brushed Platinum | 36 503 985-06 |
|  | Platinum | 36 503 985-08 |
|  | Dark Chrome | 36 503 985-19 |
|  | Brushed Durabrass (23kt Gold) | 36 503 985-28 |
|  | Matte Black | 36 503 985-33 |
|  | Brushed Champagne (22kt Gold) | 36 503 985-46 |
|  | Champagne (22kt Gold) | 36 503 985-47 |
|  | Brushed Chrome | 36 503 985-93 |
|  | Brushed Dark Platinum | 36 503 985-99 |

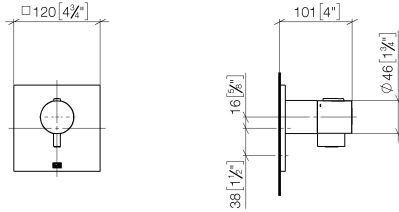
Required miscellaneous



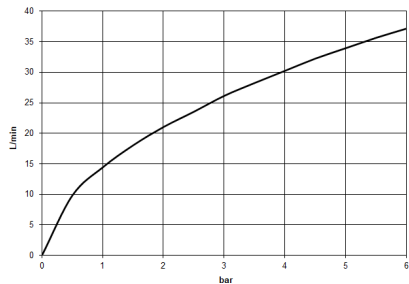
- xTOOL Concealed thermostat module without volume control -** 35 503 970 90
- max. recess depth 160 mm
 - min. recess depth 95 mm

36 503 985

mm [inches]



Flow rate chart



3551197090 + 36503xxx-FF + 366x7xxx-FF

Certificates

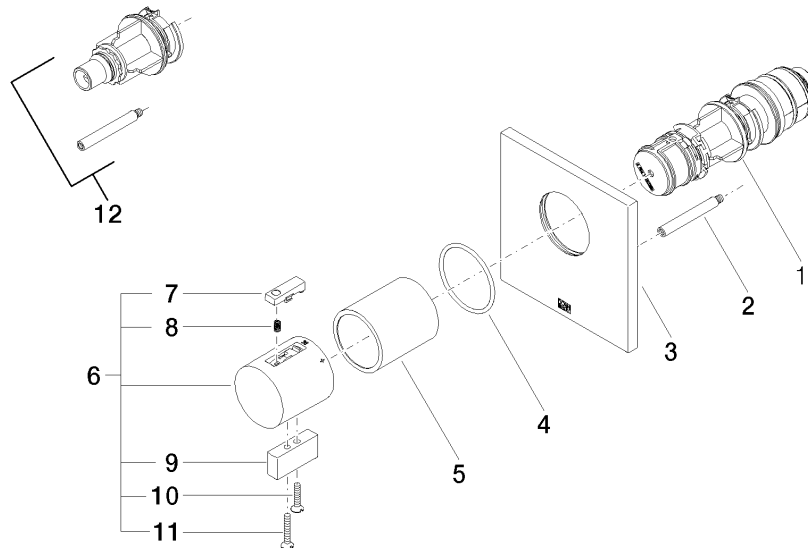
WRAS_2011026.

DVGW_DW-
6512DN0706.

LGA_29930.

LGA_29932.

36 503 985



Spare parts list

| No. | Item Number | Name | Quantity used | Delivery time |
|-----|--------------------|-------------------|---------------|---------------|
| 1 | 90 15 02 065 00 90 | cartridge | 1 | 2 |
| 2 | 90 31 09 095 00 90 | bar | 1 | 2 |
| 3 | 09 11 02 196-00 | cover | 1 | 60 |
| 4 | 90 14 10 049 00 90 | seal | 1 | 2 |
| 5 | 90 21 02 112 00-00 | sleeve | 1 | 10 |
| 6 | 04 17 33 006 00-00 | handle | 1 | 60 |
| 7 | 90 21 33 011 00-13 | handle | 1 | 2 |
| 8 | 90 16 02 027 00 90 | spring | 1 | 2 |
| 9 | 09 20 33 006-00 | handle | 1 | 10 |
| 10 | 09 30 30 159-00 | screw | 1 | 10 |
| 11 | 09 30 30 160-00 | screw | 1 | 10 |
| 12 | 12 178 970 90 | Extension 46 mm - | 1 | 2 |